

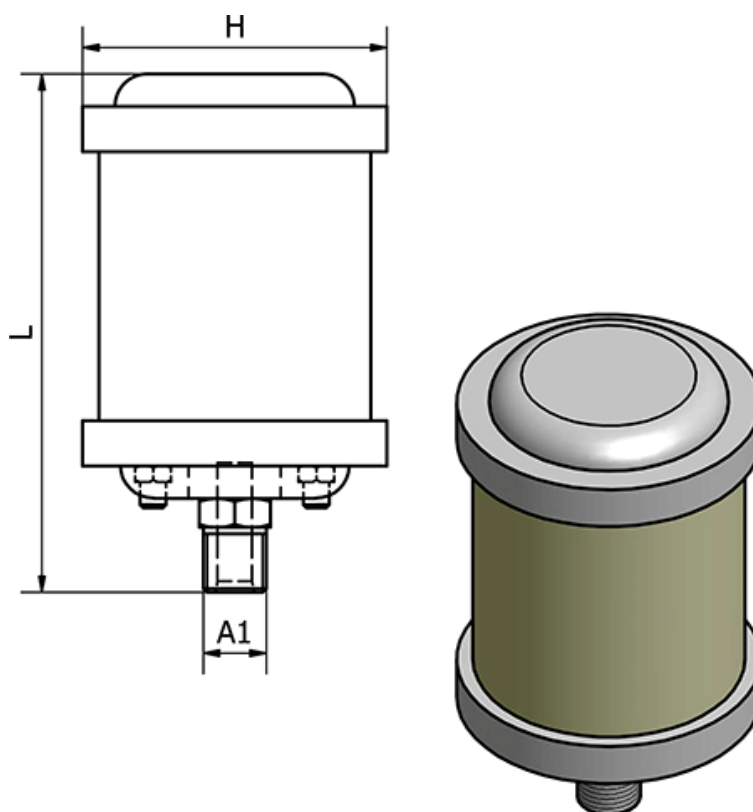
Data Sheet



Article number: 586LX10

Description: Silencers LX-10, - G 1"
Silencer With Hi-Flow

Measures



Flow l/min at 5 bar = 19800

H = 99

L = 222

Thread A1 = G 1"